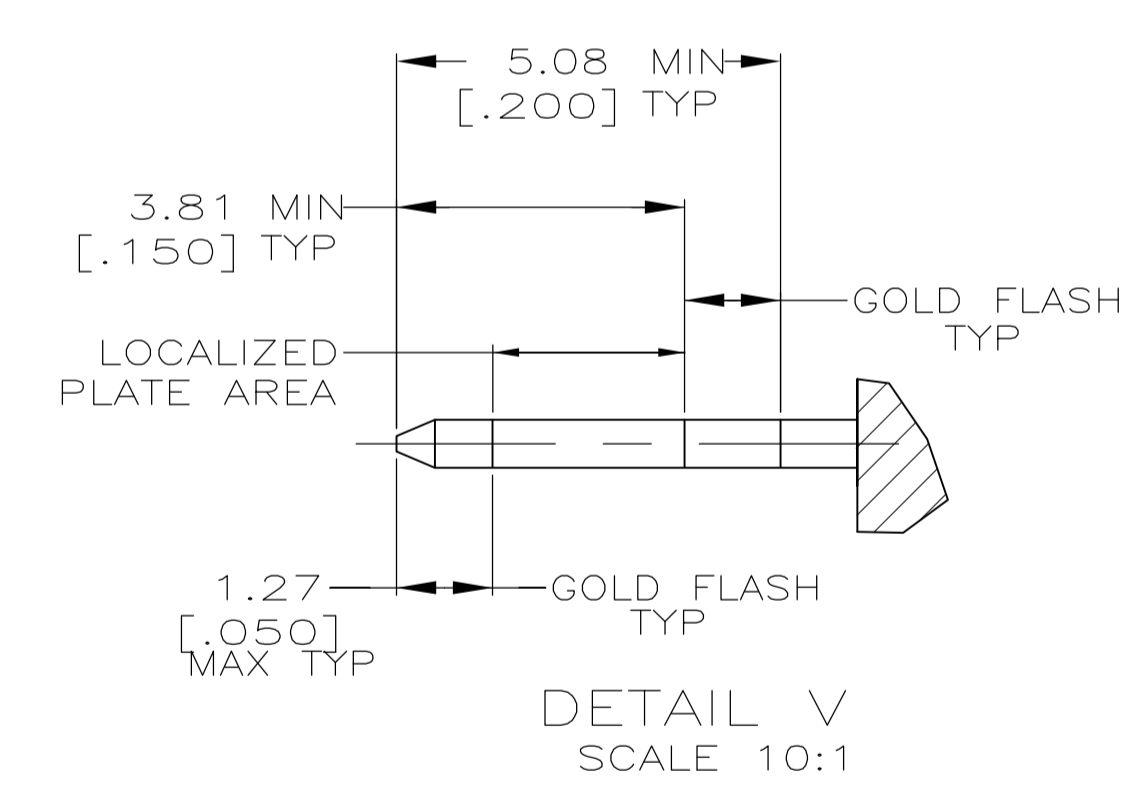
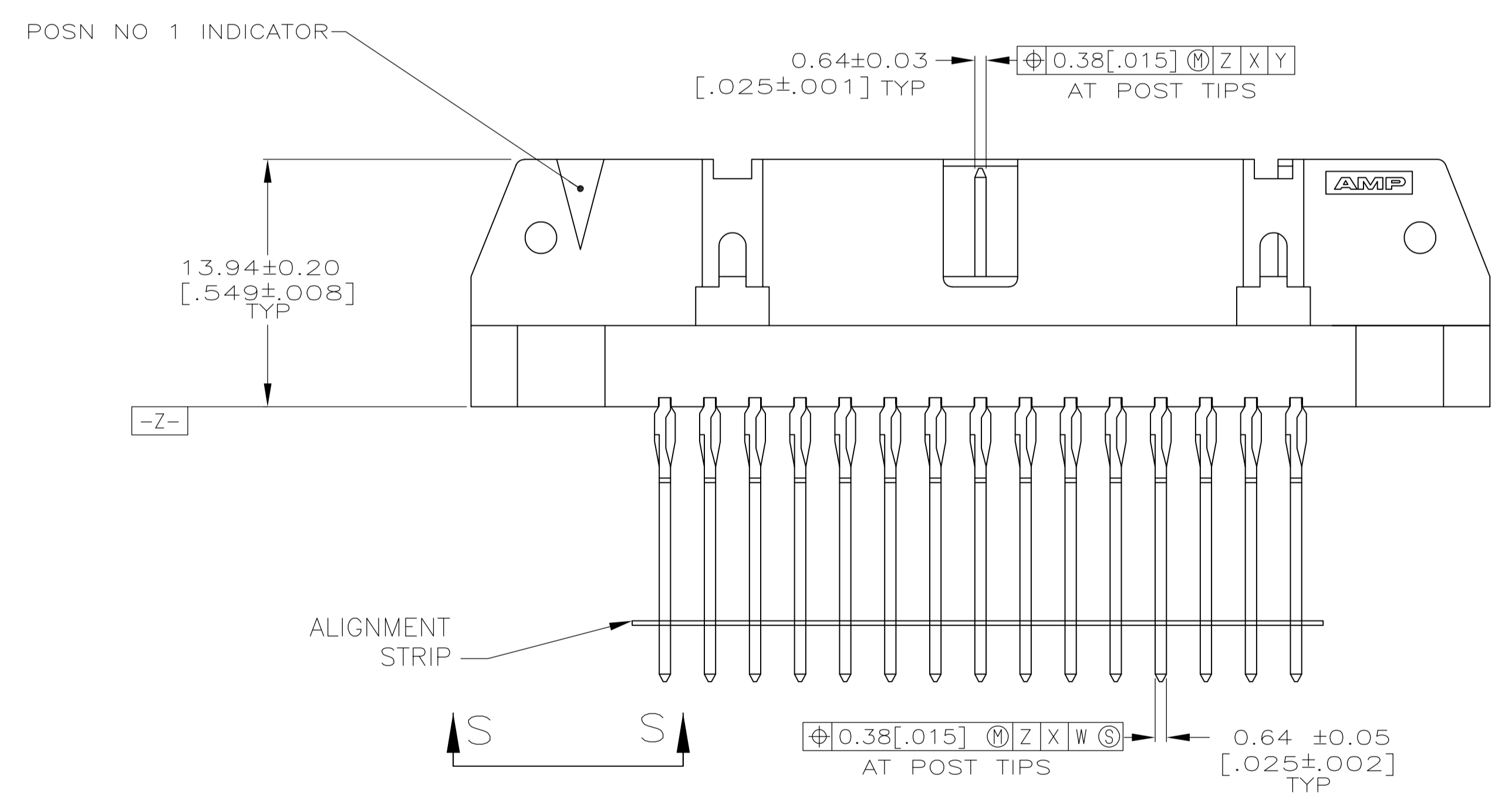
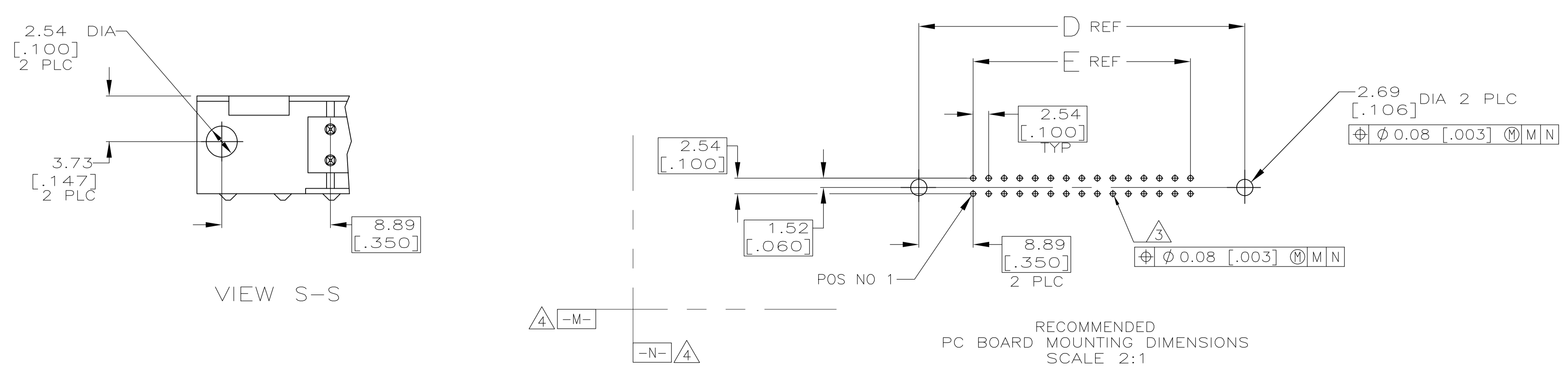


- ① HOUSING: GLASS FILLED NYLON OR POLYESTER, UL94V-0 RATED, COLOR BLACK. POSTS: PHOSPHOR BRONZE. ALIGNMENT STRIP: ARMD PAPER.
- ② POSTS: GOLD FLASH OVER PALLADIUM-NICKEL PLATE, 0.76μm[.000030] MIN TOTAL ON THE LOCALIZED PLATE AREA, 2.54μm[.000100] MIN TIN PLATE ON THE TAIL, 1.27μm[.000050] MIN NICKEL UNDERPLATE ON THE ENTIRE POST.
-OR-
0.76μm[.000030] MIN GOLD PLATE ON THE LOCALIZED PLATE AREA, 2.54μm[.000100] MIN TIN PLATE ON THE TAIL, 1.27μm[.000050] MIN NICKEL UNDERPLATE ON THE ENTIRE POST.
- ③ REFER TO APPLICATION SPECIFICATION 114-40020 FOR HOLE SIZE AND FINISH RECOMMENDATIONS.
- ④ DATUMS -M- & -N- TO BE ESTABLISHED BY CUSTOMER.
- ⑤ NO SLOT FOR SNAP-IN POLARIZER ON THIS END FOR 10 AND 14 POSITION HEADERS.
- ⑥ NO SLOT ON THIS END FOR 10 POSITION HEADERS.



OBSOLETE	78.74	96.52	100.58	96.52	86.36		
	[3.100]	[3.800]	[3.960]	[3.800]	[3.400]	64	1-1658695-0
	73.66	91.44	95.50	91.44	81.28	60	1658695-9
	[2.900]	[3.600]	[3.760]	[3.600]	[3.200]	50	1658695-8
	60.96	78.74	82.80	78.74	68.58	40	1658695-7
	[2.400]	[3.100]	[3.260]	[3.100]	[2.700]	26	1658695-6
	48.26	66.04	70.10	66.04	55.88	20	1658695-5
	[1.900]	[2.600]	[2.760]	[2.600]	[2.200]	16	1658695-4
	30.48	48.26	52.32	48.26	38.10	14	1658695-3
	[1.200]	[1.900]	[2.060]	[1.900]	[1.500]	10	1658695-2
	22.86	40.64	44.70	40.64	30.48	34	1658695-1
	[.900]	[1.600]	[1.760]	[1.600]	[1.200]		
	17.78	35.56	38.10	35.56	25.40		
	[.700]	[1.400]	[1.560]	[1.400]	[1.000]		
	15.24	33.02	37.08	33.02	22.86		
	[.600]	[1.300]	[1.460]	[1.300]	[.900]		
	10.16	27.94	32.00	27.94	17.78		
	[.400]	[1.100]	[1.260]	[1.100]	[.700]		
	40.64	58.42	62.48	58.42	48.26		
	[1.600]	[2.300]	[2.460]	[2.300]	[1.900]		
	E	D	C	B	A	NO OF POSN	PART NUMBER



THIS DRAWING IS A CONTROLLED DOCUMENT.

DIMENSIONS: mm [INCHES]	TOLERANCES UNLESS OTHERWISE SPECIFIED:	DIN R SAMICK 13JAN2004	13JAN2004	Tyco Electronics Corporation Harrisburg, PA 17105-3608
0 PLC ± -	1 PLC ± -	2 PLC ± 0.13[.005]	3 PLC ± -	4 PLC ± -
ANGLES ± -				
MATERIAL	FINISH	APVD S. BOLASH 13JAN2004	NAME M. WALMSLEY	PRODUCT SPEC 108-40019
			APPLICATION SPEC 114-40020	SIZE A1
			WEIGHT	CAGE CODE 00779
				DRAWING NO 1658695
				RESTRICTED TO CUSTOMER DRAWING
				SCALE 4:1 SHEET 1 OF 1 REV E